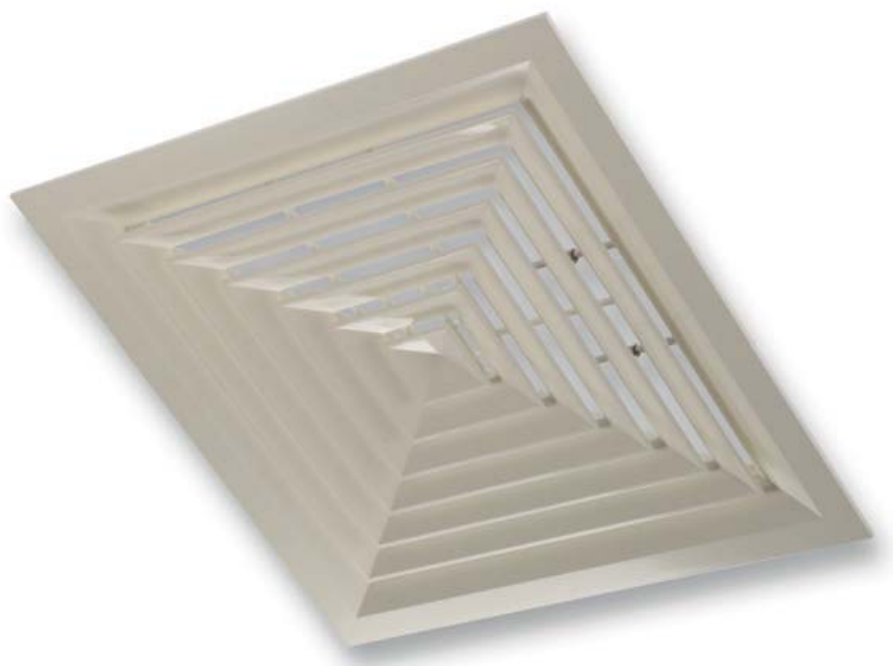


- 4-way pattern diffusers
- Square
- Aluminium
- White, RAL 9010

Accessories

- DS**
Volume control dampers
- RES**
Plenum boxes



Ceiling diffusers type APKW-4

4-way ceiling diffusers with removable core

Application

- For air supply and exhaust in ventilation and air conditioning systems.

Material

- Aluminium and steel combination

Mounting

- Fixing by the collar of the diffuser in the plenum box

Accessories

- Opposite blade volume control damper type **DS**
- Plenum box with side duct connection type **RES**

Text for tender

- The air supply ceiling diffusers are square with a fixed 4-way pattern and a removable core. They are made of aluminium and steel in white finish RAL 9010 supplied with a volume control damper and a plenum box.
- ATC Type APKW-4+DS+RES**

Other available products

- Diffuser in anodized aluminium type **APK-4** available upon request
- Diffusers with 1, 2 or 3-way directional type **APKW-1, APKW-2 or APKW-3** available upon request

Order example

- APKW-4, 444 + RES + DS**

Explanation

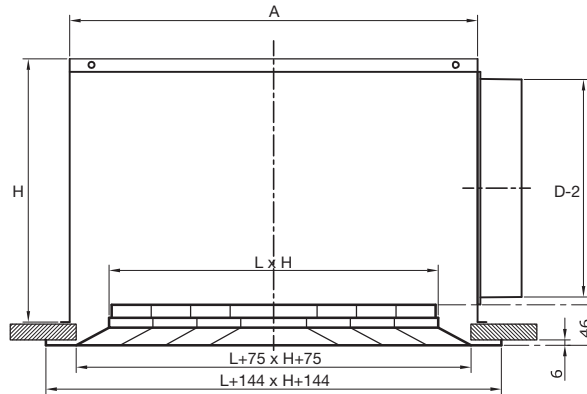
APKW-4 = Diffuser type

444 = Diffuser size

Accessories (Optional)



RES = Plenum box
DS = Volume control damper



Selection

	APKW-4	294	369	444	519	595
	LXH	150x150	225x225	300x300	375x375	450x450
Qv	Aeff	0.01	0.02	0.04	0.07	0.10
100	Lth	0.50				
	Ps	4.50				
	Veff	2.50				
	Lw	18				
160	Lth	0.80	0.50			
	Ps	12	2.30			
	Veff	4.10	1.80			
	Lw	29	13			
200	Lth	1	0.70	0.50		
	Ps	18	3.60	1.10		
	Veff	5.10	2.30	1.30		
	Lw	35	18	6		
300	Lth	1.50	1	0.70	0.60	
	Ps	41	8.20	2.60	1.10	
	Veff	7.60	3.40	1.90	1.20	
	Lw	45	28	16	7	
400	Lth		1.30	1	0.80	0.70
	Ps		14	4.60	1.90	0.90
	Veff		4.60	2.60	1.60	1.10
	Lw		35	24	15	7
500	Lth		1.70	1.20	1	0.80
	Ps		23	7.10	2.90	1.40
	Veff		5.70	3.20	2	1.40
	Lw		41	29	20	13
600	Lth			1.50	1.20	1
	Ps			10	4.20	2
	Veff			3.80	2.50	1.70
	Lw			34	25	17
700	Lth			1.70	1.40	1.20
	Ps			14	5.70	2.80
	Veff			4.50	2.90	2
	Lw			37	28	21
800	Lth			2	1.60	1.30
	Ps			18	7.50	3.60
	Veff			5.10	3.30	2.30
	Lw			41	32	24
900	Lth				1.80	1.50
	Ps				9.50	4.60
	Veff				3.70	2.60
	Lw				35	27
1000	Lth				2	1.70
	Ps				12	5.60
	Veff				4.10	2.80
	Lw				37	30
1200	Lth				2.40	2
	Ps				17	8.10
	Veff				4.90	3.40
	Lw				42	34
1400	Lth				2.80	2.30
	Ps				23	11
	Veff				5.70	4
	Lw				46	38
1600	Lth					2.70
	Ps					14
	Veff					4.50
	Lw					41
2000	Lth					3
	Ps					18
	Veff					5.10
	Lw					44

Symbols and specifications

- Values at ceiling height of 2.7m
- Temperature difference $Dt = -10K$
- $Lt\ 0.25$ = Horizontal throw in m at $v_t = 0.25m/s$
- P_s = Static pressure loss in Pa
- L_p = Acoustic pressure incl. 5dB of room attenuation in dB(A)
- Q_v = Air Volume in m^3/h
- LXH = Neck diffuser