



## Round ceiling diffusers type SRR-GD

Round ceiling diffusers with fixed diffusion rings supplied with a volume control damper in the plenumbox.

### Application

- Used for air supply and exhaust in ventilation and air conditioning systems.

### Material

- Aluminium

### Mounting

- Fixing directly on the collar
- Fixing with central screw

### Accessories

- Plenum box type **RER**
- Crossbar for mounting in circular duct type **FGN**

### Text for tender

- The circular ceiling diffusers have fixed diffusion blades. They are made of aluminium with white powder coating finish RAL 9010 and supplied with a volume control damper in the plenumbox.
- **ATC Type SRR-GD**

### Order example

- **SRR-GD, 200 + RER**

Explanation

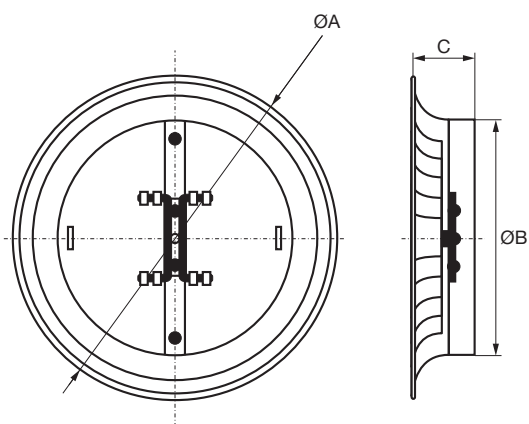
**SRR-GD** = Type diffuser

**200** = Size diffuser (Ø diffuser neck connection)

Accessories (optional)

**RER** = Plenumbox




**Dimensions**

	ØA [mm]	ØB [mm]	C [mm]
SRR-GD 200	304	196	78
SRR-GD 250	354	246	78
SRR-GD 315	404	296	78

**Selection**

D Aeff [m <sup>2</sup> ] Q [m <sup>3</sup> /h]	200 0.014		250 0.021		315 0.031	
	Легенда Veff [m/s] Ps [Pa]                      L 0.25 [m] Lw [dB(A)]					
100						
120	2.40 2	1.10 <20				
140	2.80 3	1.20 <20	1.90 1			
160	3.20 4	1.40 <20	2.20 2	1.10 <20		
180	3.60 5	1.60 <20	2.40 2	1.30 <20	1.60 1	
200	4 6	1.80 <20	2.70 3	1.40 <20	1.80 1	<20 <20
250	5 10	2.20 22	3.40 4	1.80 <20	2.20 2	1.50 <20
300	6 14	2.60 29	4 6	2.10 <20	2.70 3	1.70 <20
350	7 19	3.10 34	4.70 9	2.50 24	3.10 4	2 <20
400	8.10 25	3.50 39	5.40 11	2.90 29	3.60 5	2.30 <20
450	9.10 32	3.90 43	6.10 14	3.20 33	4 6	2.60 23
500	10.10 40	4.40 47	6.70 18	3.60 37	4.50 8	2.90 27
600	12.10 57	5.30 53	8.10 26	4.30 43	5.30 11	3.50 33
700			9.40 35	5 49	6.20 15	4.10 38
800					7.10 20	4.70 43
900					8 25	5.20 47
1000					8.90 31	5.80 51
1200	Данните са измерени при: - Aeff = светло сечение - Veff = ефективна скорост - L 0.25 = далекобойност в м при v = 0.25 m/s					
1400	- Ps = пад на налягане в Pa - Lw = звукова мощност в dB(A)					
1600	- Q = дебит в м <sup>3</sup> /h					

**Symbols and specifications**

- Values at ceiling height of 2.7m
- Temperature difference Dt = -10K
- Lt 0.25 = horizontal throw in m at vt = 0.25m/s
- Ps = Static pressure loss in Pa
- Lw = Acoustic power in dB(A)
- Qv = Air Volume in m<sup>3</sup>/h
- 160 to 400 = diffuser size