

- Circular conical diffusers
- Circular
- Aluminium
- White, RAL 9010

Accessories

- **DR**
Volume dampers
- **RER**
Plenum boxes
- **FGN**
Crossbars for RWR-N, VWR-N,
RWR-2 en PRN



Round ceiling diffusers type PRN

Round ceiling diffusers with fixed diffusion rings

Application

- Used for air supply and exhaust in ventilation and air conditioning systems.

Material

- Aluminium

Mounting

- Fixing directly on the collar
- Fixing with central screw

Accessories

- Plenum box type **RER-LB**
- Plenum box type **RER-LB ISO**
- Plenumbox connection valve type **CRC**
- Crossbar for ceiling mounting type **FHN**
- Crossbar for mounting in circular duct type **FGN**
- Butterfly volume control damper for mounting on the neck of the diffuser, type **DR**

Text for tender

- The circular ceiling diffusers have fixed diffusion blades. They are made of aluminium with white powder coating finish RAL 9010 and supplied with a volume control damper in the plenumbox.
- **ATC** Type **PRN+RER-L**

Other available products

- Diffuser in plate 595x595mm type **PS/PRN** available upon request

Order example

- **PRN, 200 + RER-LB + CRC 160**

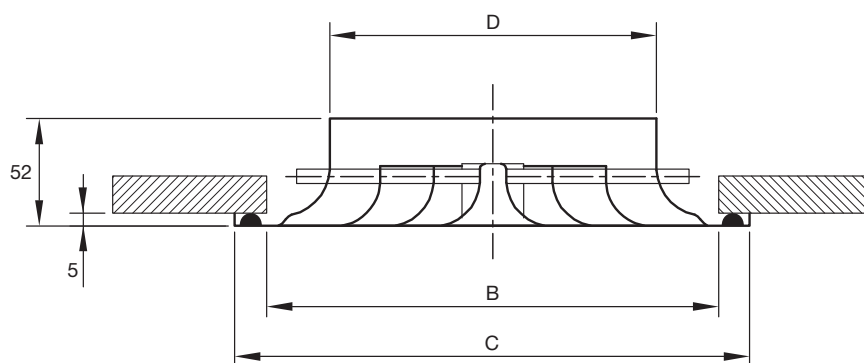
Explanation

PRN = Diffuser type
200 = Diffuser size (Ø diffuser neck connection)

Accessories

RER-LB = Plenumbox
CRC = Plenumbox connection valve
160 = Plenumbox connection diameter 160




Dimensions

Модел	OC [mm]	OB [mm]	OD [mm]
160	247	213	159
200	287	264	199
250	337	315	249
315	402	366	314
355	442	417	354
400	487	462	399

Selection

D	160	200	250	315	355	400
Aeff [m ²]	0.009	0.014	0.021	0.031	0.039	0.048
Q [m ³ /h]						
100	3 1.10 4 <20					
120	3.60 1.30 5 <20	2.40 1.10 2 <20				
140	4.20 1.50 7 <20	2.80 1.20 3 <20	1.90 1 1 <20			
160	4.80 1.70 9 <20	3.20 1.40 4 <20	2.20 1.10 2 <20			
180	5.40 1.90 12 21	3.60 1.60 5 <20	2.40 1.30 2 <20	1.60 1 1 <20		
200	6 2.10 14 25	4 1.80 6 <20	2.70 1.40 3 <20	1.80 1.20 1 <20	1.40 1 1 <20	
250	7.50 2.70 22 32	5 2.20 10 22	3.40 1.80 4 <20	2.20 1.50 2 <20	1.80 1.30 1 <20	1.50 1.20 1 <20
300	9.10 3.20 32 39	6 2.60 14 29	4 2.10 6 <20	2.70 1.70 3 <20	2.20 1.60 2 <20	1.70 1.40 1 <20
350	10.60 3.80 44 44	7 3.10 19 34	4.70 2.50 9 24	3.10 2 4 <20	2.50 1.80 2 <20	2 1.60 2 <20
400	12.10 4.30 57 49	8.10 3.50 25 39	5.40 2.90 11 29	3.60 2.30 5 <20	2.90 2.10 3 <20	2.30 1.90 2 <20
450		9.10 3.90 32 43	6.10 3.20 14 33	4 2.60 6 23	3.20 2.40 4 <20	2.60 2.10 3 <20
500		10.10 4.40 40 47	6.70 3.60 18 37	4.50 2.90 8 27	3.60 2.60 5 22	2.90 2.40 3 <20
600		12.10 5.30 57 53	8.10 4.30 26 43	5.30 3.50 11 33	4.30 3.10 7 28	3.50 2.80 5 23
700			9.40 5 35 49	6.20 4.10 15 38	5 3.70 10 33	4.10 3.30 6 28
800				7.10 4.70 20 43	5.80 4.20 13 38	4.70 3.80 8 33
900				8 5.20 25 47	6.50 4.70 16 42	5.20 4.20 11 37
1000				8.90 5.80 31 51	7.20 5.20 20 46	5.80 4.70 13 40
1200					8.60 6.30 29 52	7 5.70 19 47
1400						8.20 6.60 26 52
1600						9.30 7.50 34 57

Symbols and specifications

- Values at ceiling height of 3 m
- Temperature difference Dt = 0K
- Veff = Effective velocity in m/s
- Lth 0.25 = horizontal throw in m at vt = 0.25 m/s
- Ps = Static pressure loss in Pa
- Lw = Acoustic power in dB(A)
- Qv = Air Volume in m³/h
- 160 to 400 = diffuser size